

Driver & Event	
Name	MICHAL ORLOWSKI
Date	11/17
Event	WORLDS 2017
Weather	23°C
Result	

Track Conditions	
Grip Level	High <input type="checkbox"/> Med <input checked="" type="checkbox"/> Low <input type="checkbox"/>
Type	Tight <input type="checkbox"/> Open <input checked="" type="checkbox"/> Mixed <input type="checkbox"/>
Surface	Clay <input checked="" type="checkbox"/> Astro <input type="checkbox"/> Grass <input type="checkbox"/> Mixed <input type="checkbox"/> Carpet <input type="checkbox"/>
Condition	Smooth <input type="checkbox"/> Bumpy <input checked="" type="checkbox"/>

Differential	
Diff Oil F.....	15K cSt R..... 15K cSt
Diff Height F	High <input type="checkbox"/> Mid <input type="checkbox"/> Low <input checked="" type="checkbox"/>
Diff Height R	High <input checked="" type="checkbox"/> Mid <input type="checkbox"/> Low <input type="checkbox"/>


Electrics & Chassis	
E.S.C	LRP FLOW-X
Servo	SANWA ERG-BX
Reciever	SANWA RX-481
Lipo	LRP SHORTY 3500
Shorty LiPo	Front <input checked="" type="checkbox"/> Middle <input type="checkbox"/> Rear <input type="checkbox"/>
Centre Topdeck	Yes <input type="checkbox"/> No <input checked="" type="checkbox"/>
Front Topdeck Thickness	2.5mm <input checked="" type="checkbox"/> 3.0mm <input type="checkbox"/>
Rear Topdeck Thickness	2.5mm <input type="checkbox"/> 3.0mm <input checked="" type="checkbox"/>

Wheels & Tyres	
Rr Tyre	SW TENDROID SW-101YC
Rr Wheel	CONTROL WHEEL
Rr Insert	SW CLOSED CELL
Fr Tyre	SW TENDROID SW-101F
Fr Wheel	CONTROL WHEEL
Fr Insert	SW CLOSED CELL

Motor & Gearing	
Motor	LRP X22 6.0T
Rotor Diameter	STD mm
Timing	27.5 Deg
Spur	83T
Pinion	21T

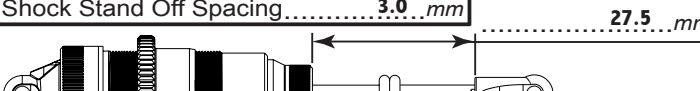
Other settings	
Car Weight	1630 g
Alloy Wing Mount	High <input type="checkbox"/> Low <input type="checkbox"/>
Rear Wing Gurney Height	10 mm
Front Wing	Small <input type="checkbox"/> Big <input type="checkbox"/>
Front Wing Gurney Height	mm
Slipper	2Plate <input checked="" type="checkbox"/> 3Plate <input type="checkbox"/> 4Plate <input type="checkbox"/>
Rear Hex	0 <input checked="" type="checkbox"/> 0.75 <input type="checkbox"/> 1.5 <input type="checkbox"/>
Front Hex	0 <input checked="" type="checkbox"/> 0.75 <input type="checkbox"/> 1.5 <input type="checkbox"/>

Front Shocks	
Oil.....	450 cSt
Spring	3.4 GREEN lb/in
Shock Cap	Sealed <input type="checkbox"/> Vented <input type="checkbox"/> Aeration <input checked="" type="checkbox"/>
Piston	BLK 2 HOLE Drilled <input type="checkbox"/> Hole Size..... 1.6 mm
Internal Limiters	0.0 mm Kashima Body No <input checked="" type="checkbox"/> Yes <input type="checkbox"/>



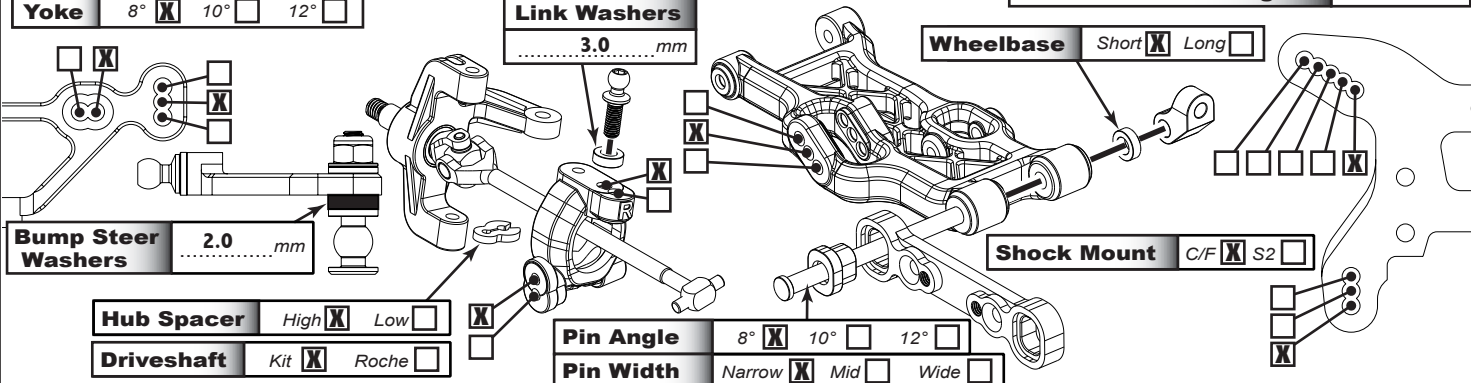
24.0 mm

Rear Shocks	
Oil.....	300 cSt
Spring	2.4 BLUE lb/in
Shock Cap	Sealed <input type="checkbox"/> Vented <input type="checkbox"/> Aeration <input checked="" type="checkbox"/>
Piston	RED 2 HOLE Drilled <input checked="" type="checkbox"/> Hole Size..... 1.7 mm
Internal Limiters	0.0 mm Kashima Body No <input checked="" type="checkbox"/> Yes <input type="checkbox"/>
Shock Stand Off Spacing	3.0 mm

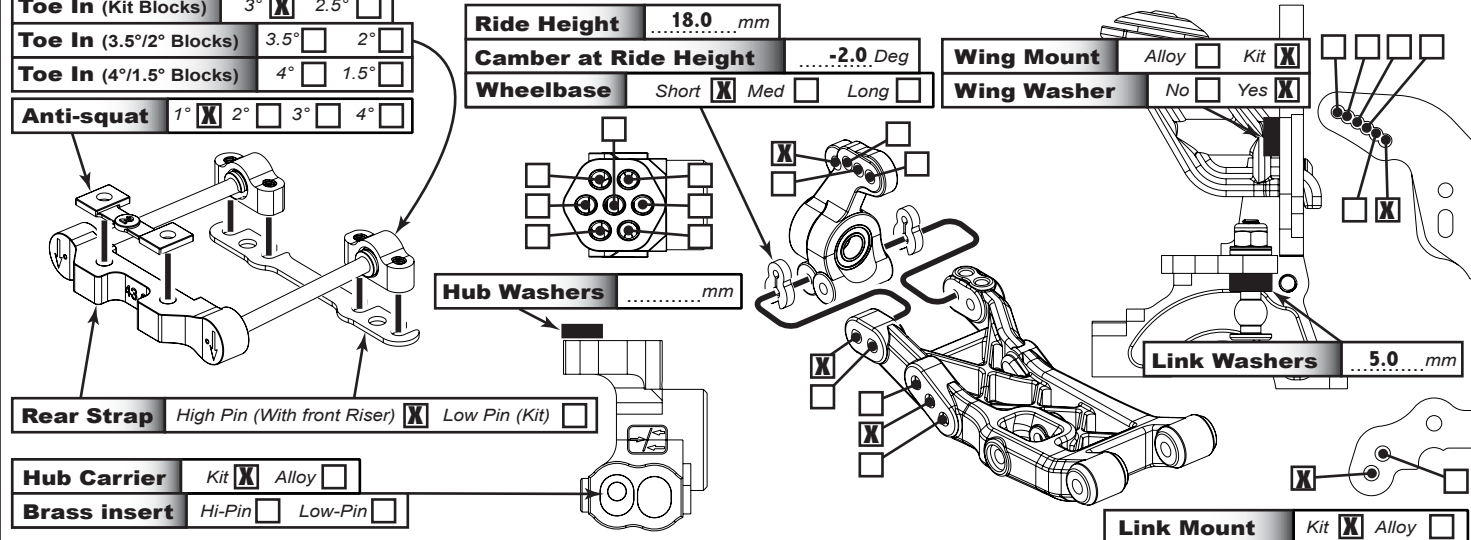


27.5 mm

Front Suspension	
Toe	-0.50 Deg
Yoke	8° <input checked="" type="checkbox"/> 10° <input type="checkbox"/> 12° <input type="checkbox"/>
Anti Roll Bar	None <input type="checkbox"/> 1.2 <input type="checkbox"/> 1.4 <input type="checkbox"/> 1.6 <input checked="" type="checkbox"/> 1.8 <input type="checkbox"/> 2.0 <input type="checkbox"/>
Ride Height	18.0 mm
Camber at Ride Height	-1.5 Deg
Link Washers	3.0 mm
Wheelbase	Short <input checked="" type="checkbox"/> Long <input type="checkbox"/>
Bump Steer Washers	2.0 mm
Shock Mount	C/F <input checked="" type="checkbox"/> S2 <input type="checkbox"/>
Hub Spacer	High <input checked="" type="checkbox"/> Low <input type="checkbox"/>
Driveshaft	Kit <input checked="" type="checkbox"/> Roche <input type="checkbox"/>
Pin Angle	8° <input checked="" type="checkbox"/> 10° <input type="checkbox"/> 12° <input type="checkbox"/>
Pin Width	Narrow <input checked="" type="checkbox"/> Mid <input type="checkbox"/> Wide <input type="checkbox"/>



Rear Suspension	
Toe In (Kit Blocks)	3° <input checked="" type="checkbox"/> 2.5° <input type="checkbox"/>
Toe In (3.5°/2° Blocks)	3.5° <input type="checkbox"/> 2° <input type="checkbox"/>
Toe In (4°/1.5° Blocks)	4° <input type="checkbox"/> 1.5° <input type="checkbox"/>
Anti-squat	1° <input checked="" type="checkbox"/> 2° <input type="checkbox"/> 3° <input type="checkbox"/> 4° <input type="checkbox"/>
Anti Roll Bar	None <input type="checkbox"/> 1.2 <input type="checkbox"/> 1.4 <input checked="" type="checkbox"/> 1.6 <input type="checkbox"/> 1.8 <input type="checkbox"/> 2.0 <input type="checkbox"/>
Ride Height	18.0 mm
Camber at Ride Height	-2.0 Deg
Wheelbase	Short <input checked="" type="checkbox"/> Med <input type="checkbox"/> Long <input type="checkbox"/>
Shock Mount	C/F <input checked="" type="checkbox"/> S2 <input type="checkbox"/>
Wing Mount	Alloy <input type="checkbox"/> Kit <input checked="" type="checkbox"/>
Wing Washer	No <input type="checkbox"/> Yes <input checked="" type="checkbox"/>
Hub Washers	mm
Link Washers	5.0 mm
Rear Strap	High Pin (With front Riser) <input checked="" type="checkbox"/> Low Pin (Kit) <input type="checkbox"/>
Hub Carrier	Kit <input checked="" type="checkbox"/> Alloy <input type="checkbox"/>
Brass insert	Hi-Pin <input type="checkbox"/> Low-Pin <input type="checkbox"/>
Link Mount	Kit <input checked="" type="checkbox"/> Alloy <input type="checkbox"/>



Notes

CAT L1