

| Driver and Event |  |
|------------------|--|
| Name             |  |
| Date             |  |
| Event            |  |
| Weather          |  |
| Result           |  |

| Track Conditions |  |
|------------------|--|
| Surface          |  |
| Grip Level       |  |
| Track Condition  |  |

| Additional Settings                |                          |
|------------------------------------|--------------------------|
| Car Weight                         |                          |
| Washers between CTR and Bellcranks | mm                       |
| Chassis Alloy                      | <input type="checkbox"/> |
| Carbon                             | <input type="checkbox"/> |


| Electrics and Gearing |  |
|-----------------------|--|
| E.S.C                 |  |
| Servo                 |  |
| Receiver              |  |
| Batteries             |  |
| Motor                 |  |
| Spur                  |  |
| Pinion                |  |
| Cell Position         |  |

| Wheels and Tyres |  |
|------------------|--|
| Rear Wheels      |  |
| Rear Tyre        |  |
| Rear Insert      |  |
| Front Wheels     |  |
| Front Tyre       |  |
| Front Insert     |  |


|       |
|-------|
| NOTES |
|-------|

| Diff Type |                          |
|-----------|--------------------------|
| Ball      | <input type="checkbox"/> |
| Gear      | <input type="checkbox"/> |
| Diff Oil  |                          |

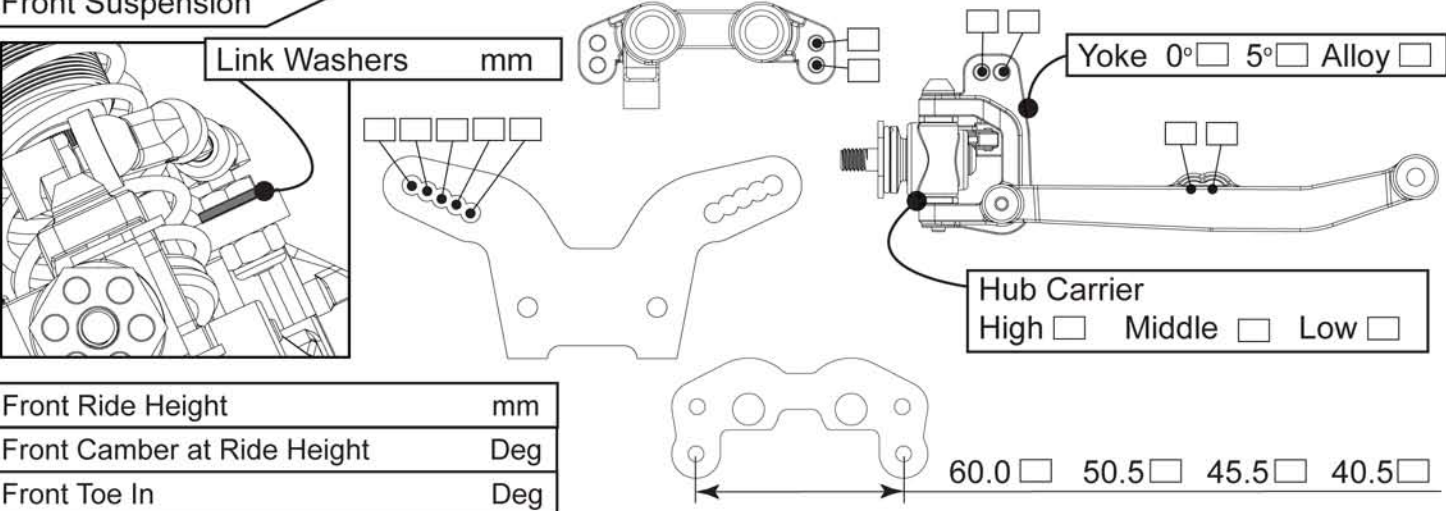
| Front Shocks     |                          |
|------------------|--------------------------|
| Oil              | Spring                   |
| Shock Cap Sealed | <input type="checkbox"/> |
| Vented           | <input type="checkbox"/> |
| Emulsion         | <input type="checkbox"/> |
| Piston           |                          |
| Drilled          | <input type="checkbox"/> |
| Hole Size        | mm                       |
| Shock Length     | mm                       |



| Rear Shocks      |                          |
|------------------|--------------------------|
| Oil              | Spring                   |
| Shock Cap Sealed | <input type="checkbox"/> |
| Vented           | <input type="checkbox"/> |
| Emulsion         | <input type="checkbox"/> |
| Piston           |                          |
| Drilled          | <input type="checkbox"/> |
| Hole Size        | mm                       |
| Shock Length     | mm                       |



| Front Suspension            |  |
|-----------------------------|--|
| Link Washers                | mm   |
| Yoke                        | 0° <input type="checkbox"/> 5° <input type="checkbox"/> Alloy <input type="checkbox"/>     |
| Hub Carrier                 | High <input type="checkbox"/> Middle <input type="checkbox"/> Low <input type="checkbox"/> |
| Front Ride Height           | mm   |
| Front Camber at Ride Height | Deg  |
| Front Toe In                | Deg  |
| 60.0                        | <input type="checkbox"/>   |
| 50.5                        | <input type="checkbox"/>   |
| 45.5                        | <input type="checkbox"/>   |
| 40.5                        | <input type="checkbox"/>   |



| Rear Suspension            |   |
|----------------------------|---|
| Anti roll bar              | No <input type="checkbox"/> 1.20 <input type="checkbox"/> 1.40 <input type="checkbox"/> 1.60 <input type="checkbox"/> |
| Toe-In                     | 2° <input type="checkbox"/> 3° <input type="checkbox"/>   |
| Link Washers               | mm  |
| AntiSquat                  | 3° <input type="checkbox"/> 2° <input type="checkbox"/> 1° <input type="checkbox"/> 0° <input type="checkbox"/>       |
| Wheelbase                  | Short <input type="checkbox"/> Med <input type="checkbox"/> Long <input type="checkbox"/>                             |
| Rear Ride Height           | mm  |
| Rear Camber at Ride Height | Deg   |
| Rear Hub Carrier           | Alloy <input type="checkbox"/> Std <input type="checkbox"/>   |
| Alloy Hub Carrier          | +1° <input type="checkbox"/> -1° <input type="checkbox"/>   |
| 49                         | <input type="checkbox"/>  |
| 44                         | <input type="checkbox"/>  |
| 39                         | <input type="checkbox"/>  |
| 34                         | <input type="checkbox"/>  |

