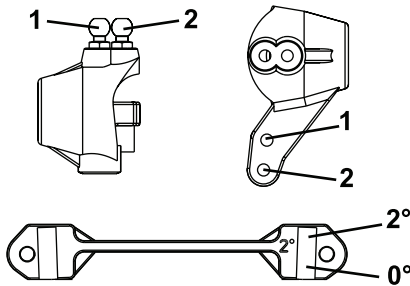
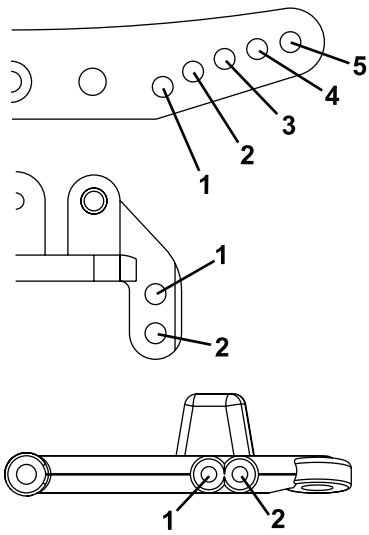


Driver:  
Date:  
Meeting:  
Best Time:

Track details:  Carpet  Concrete  
 Indoor  Tight  Tarmac  
 Outdoor  Open  Other.....



### FRONT SETTINGS

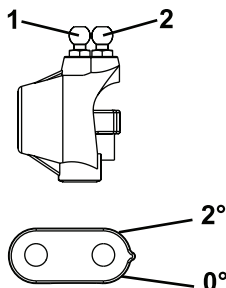
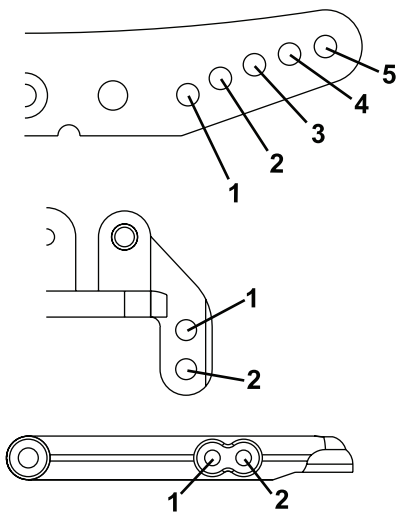


### SHOCKS

Oil..... *Wt*.....  
 Spring.....  
 Piston..... *hole(s)*.....  
 Spacer..... *mm*.....  
 Length..... *mm*.....  
 Droop..... *mm*.....

Hub Carrier..... *Plastic*..... *Alloy (High/Low)*.....  
 Anti-Roll Bar.....  
 Castor..... *degrees*.....  
 Toe-In/Outboard..... *degrees*.....  
 Ride Height..... *mm*.....  
 Camber..... *degrees*.....  
 Lower Wisbone..... *Forward Middle Rear*.....  
 Front Driveshafts..... *Plastic Steel*.....  
 Notes:

### REAR SETTINGS



### SHOCKS

Oil..... *Wt*.....  
 Spring.....  
 Piston..... *hole(s)*.....  
 Spacer..... *mm*.....  
 Length..... *mm*.....  
 Droop..... *mm*.....

Hub Carrier..... *Plastic*..... *Alloy (High/Low)*.....  
 Anti-Roll Bar.....  
 Anti/Pro Squat.....  
 Toe-In (Out Board)..... *degrees*.....  
 Ride Height..... *mm*.....  
 Camber..... *degrees*.....  
 Lower Wisbone..... *Forward Middle Rear*.....  
 Rear Driveshafts..... *Plastic Steel*.....  
 Notes:

Motor.....  
 Gearing..... *Pinion tooth Spur tooth*.....  
 Bodysell.....  
 Front Tyres.....  
 Rear Tyres.....  
 Front Inserts.....  
 Rear Inserts.....  
 Tyre Additive..... *Yes/No*..... *Type*.....  
 E.S.C. ....  
 LiPo.....  
 Receiver.....  
 Servo.....  
 Notes:

### Drivers Comments: