

# Setup Sheet

## Driver Details

Name \_\_\_\_\_

Date \_\_\_\_\_

## Wheels and Tyres

Rear Foam	Front Foam
Rear Dia. mm	Front Dia. mm
Rear Additive <input type="checkbox"/>	Front Additive <input type="checkbox"/>
Rear Sidewall Glue <input type="checkbox"/>	Front Sidewall Glue <input type="checkbox"/>

## Notes

\_\_\_\_\_

## Surface

Track Type Smooth  Bumpy  Tight  Open   
 Grip High  Med  Low

## Chassis and Electrics

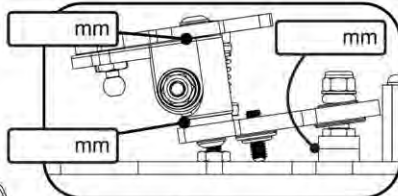
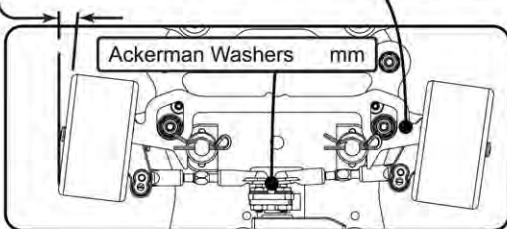
S1  Carbon   
 Bodyshell \_\_\_\_\_  
 Wing \_\_\_\_\_  
 E.S.C \_\_\_\_\_  
 Servo \_\_\_\_\_  
 Receiver \_\_\_\_\_  
 Battery \_\_\_\_\_

## Motor and Gearing

Motor \_\_\_\_\_  
 Spur \_\_\_\_\_  
 Pinion \_\_\_\_\_  
 mm/rev \_\_\_\_\_  
 Timing Deg \_\_\_\_\_  
 1S  Shorty

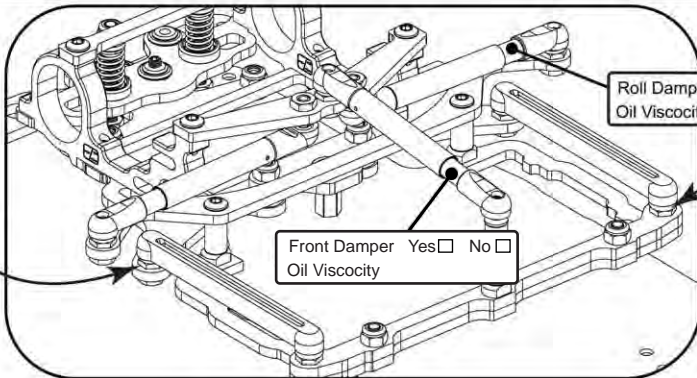
## Front

Front Ride Height mm      Front Droop mm  
 Front Toe In °      Camber Plate 1°  1.5°  2°



- 5lb/in White
  - 7lb/in Yellow
  - 10lb/in Blue
  - 14lb/in Green
  - 19lb/in Red
  - 26lb/in Black
- 

## Centre



Roll Dampers Yes  No   
 Oil Viscosity \_\_\_\_\_

- None
- White
- Blue
- Red
- Black

Front Damper Yes  No   
 Oil Viscosity \_\_\_\_\_

- None
- White
- Blue
- Red
- Black

## Rear

Motor Spacer 0  1  2

Rear Ride Height mm

- 5lb/in White
  - 7lb/in Yellow
  - 10lb/in Blue
  - 14lb/in Green
  - 19lb/in Red
  - 26lb/in Black
- 

Diff Yes  No

30g Weight

Rear Droop mm

Rear Droop Screws 1  2

Ride Height Adjuster

