

Driver and Event

Name Tom Cockerill
 Date April '13
 Event Euro's Warmup
 Weather Cold
 Result 6th

Track Conditions

Surface Clay, Astro, Concrete, Paving
 Grip Level Low
 Track Condition Bumpy, Damp, Soft



Additional Settings

Car Weight 1600
 Weights Added See Notes
 Weight Distribution -
 Ride Height Front 24 mm
 Rear 24 mm
 Washers between CTR and Bellcranks 4.0 mm
 Chassis Alloy Carbon

Electrics and Gearing

E.S.C Speed Passion Reventon Pro
 Servo Spektrum
 Receiver KO
 Batteries Shorty
 Motor Speed Passion 7.5
 Spur 80
 Pinion 24
 Cell Position See Notes

Wheels and Tyres

Rear Wheels Schumacher FlexLite
 Rear Tyre PL Holeshot M3
 Rear Insert Standard
 Front Wheels Schumacher FlexLite
 Front Tyre PL 8175 M3
 Front Insert Standard
 Tyre Modifications

Diff Type

Ball Gear

NOTES

Speedo at rear in centre, Cells 10mm in front. 45g around speedo. 35g around servo.

Rear Shocks

Oil 300 Spring Green
 Ball Short
 Socket Long
 Piston Holes 2 3 4 5 6
 Drilled Hole Size 1.7



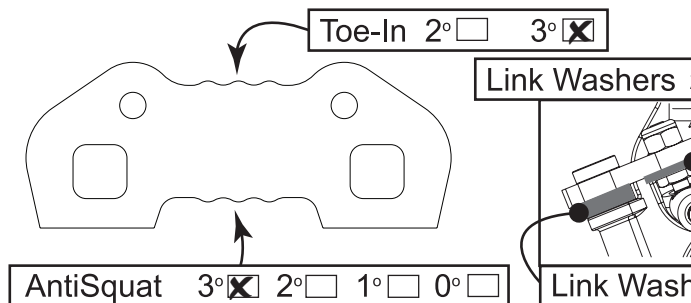
Front Shocks

Oil 400 Spring Red
 Piston Holes 2 3 4 5 6
 Drilled Hole Size 1.7



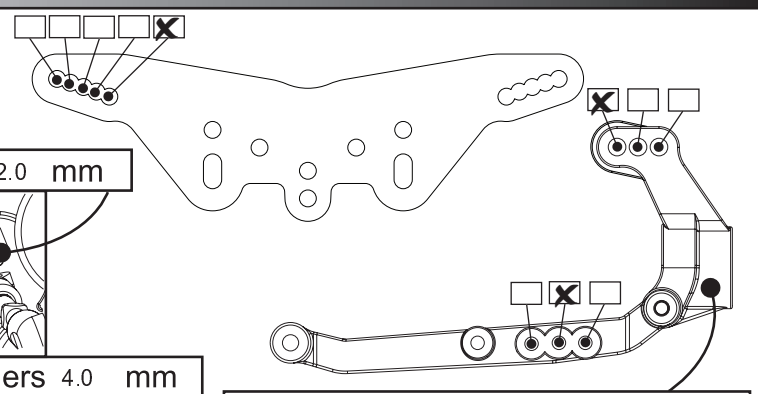
Rear Suspension

Anti roll bar No 1.20 1.40 1.60

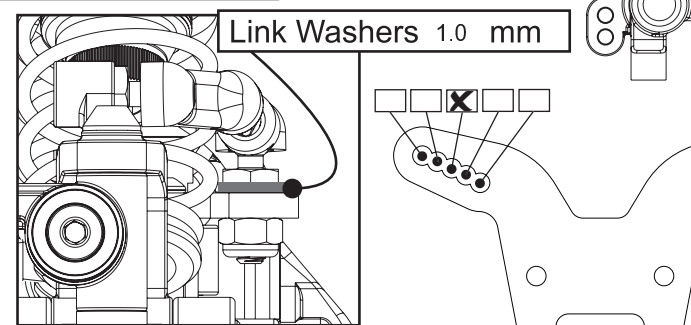


Wheelbase Short Med Long

Rear Camber at Ride Height -2.0



Front Suspension



Front Camber at Ride Height -1.0

Front Toe In +/- 0

