

Driver & Event	
Name	Michal Orlowski
Date	August 2015
Event	Test Day
Weather	Dry
Result	NIA

Electrics & Chassis	
E.S.C	Reventon Pro 1.1
Servo	RSX2 KO Response
Reciever	Sanwa RX-451R
Batteries	Shorty
Shorty Position	Front <input type="checkbox"/> Back <input checked="" type="checkbox"/>
Transverse Shorty	Yes <input type="checkbox"/> No <input checked="" type="checkbox"/>
Chassis Stiffeners	Yes <input checked="" type="checkbox"/> No <input type="checkbox"/>
Chassis	Alloy <input checked="" type="checkbox"/> Carbon <input type="checkbox"/>

Motor & Gearing	
Motor	6.5 SP V4
Rotor Diameter	STD
Timing	STD
Spur	83T
Pinion	20T

Track Conditions	
Grip Level	High <input type="checkbox"/> Med <input checked="" type="checkbox"/> Low <input type="checkbox"/>
Type	Tight <input type="checkbox"/> Open <input type="checkbox"/> Mixed <input checked="" type="checkbox"/>
Surface	Clay <input checked="" type="checkbox"/> Astro <input type="checkbox"/> Grass <input type="checkbox"/> Mixed <input type="checkbox"/> Carpet <input type="checkbox"/>
Condition	Smooth <input checked="" type="checkbox"/> Bumpy <input type="checkbox"/>


Wheels & Tyres	
Rr Tyre	PL Holeshoot M3
Rr Wheel	Kit STD
Rr Insert	PL STD
Fr Tyre	PL Holeshoot M3
Fr Wheel	Kit STD
Fr Insert	PL STD


Notes	
Car weight	g
Wing Gurney Height	-4.0 mm

F.A.B
Core Springs
2mm Bumpsteer washer

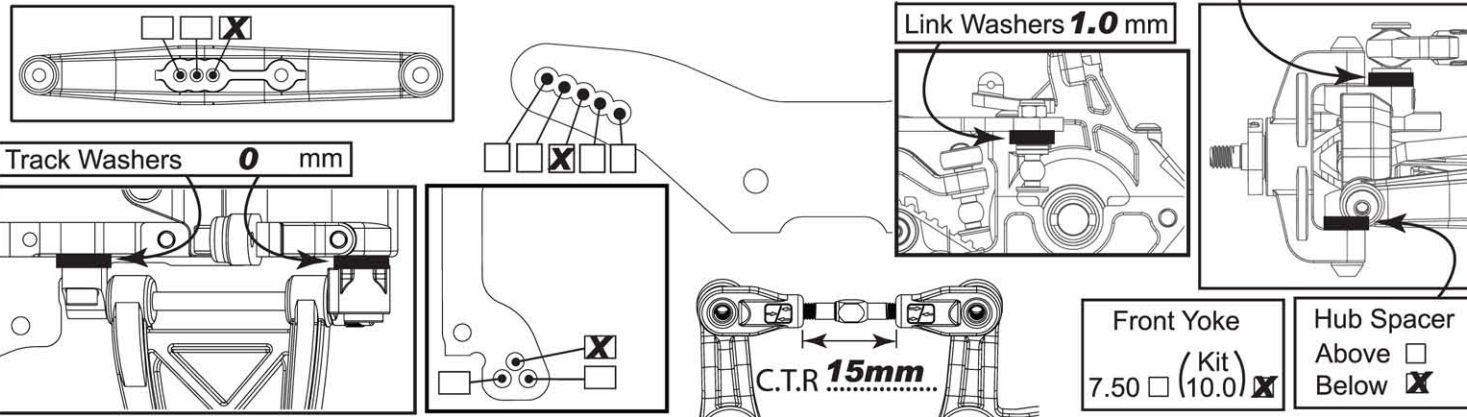
Diff Type	
Front	Ball <input type="checkbox"/> Gear <input checked="" type="checkbox"/>
Rear	Ball <input type="checkbox"/> Gear <input checked="" type="checkbox"/>

Diff Oil	
Front	10,000
Rear	10,000

Front Shocks	
Oil	350
Spring	Green
Shock Cap	Sealed <input type="checkbox"/> Vented <input type="checkbox"/> Emulsion <input checked="" type="checkbox"/>
Piston	Kit White Drilled <input type="checkbox"/> Hole Size 1.5 mm
 Shock Length 83.50mm	

Rear Shocks	
Oil	350
Spring	Green
Shock Cap	Sealed <input type="checkbox"/> Vented <input type="checkbox"/> Emulsion <input checked="" type="checkbox"/>
Piston	Kit White Drilled <input type="checkbox"/> Hole Size 1.5 mm
 Shock Length 95.50mm	

Front Suspension	
Anti roll bar	No <input checked="" type="checkbox"/> 1.4 <input type="checkbox"/> 1.6 <input type="checkbox"/> 1.8 <input type="checkbox"/> 2.0 <input type="checkbox"/>
Camber at Ride Height	-1.5 Deg
Toe-In	0 Deg
Ride Height	20 mm
Washers	1.5 mm



Track Washers **0 mm**

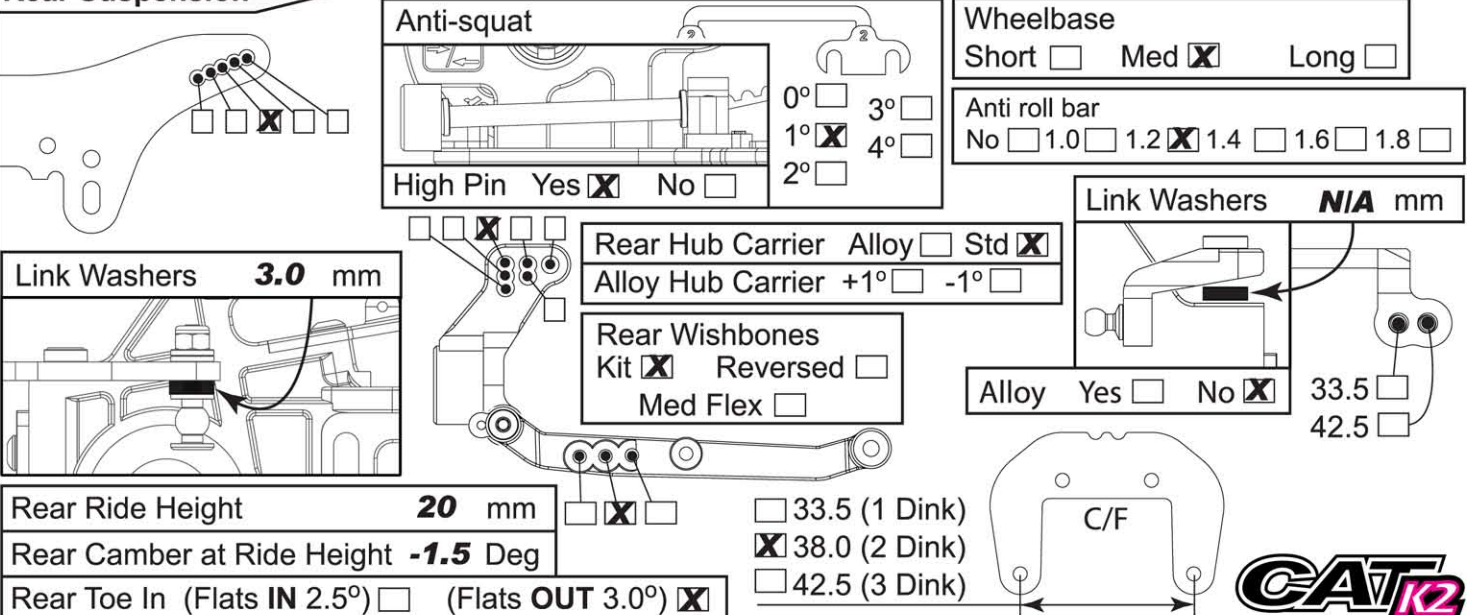
Link Washers **1.0 mm**

Front Yoke 7.50 (Kit) 10.0

Hub Spacer Above Below

C.T.R **15mm**

Rear Suspension	
Anti-squat	0° <input type="checkbox"/> 3° <input type="checkbox"/> 1° <input checked="" type="checkbox"/> 4° <input type="checkbox"/> 2° <input type="checkbox"/>
High Pin	Yes <input checked="" type="checkbox"/> No <input type="checkbox"/>
Wheelbase	Short <input type="checkbox"/> Med <input checked="" type="checkbox"/> Long <input type="checkbox"/>
Anti roll bar	No <input type="checkbox"/> 1.0 <input type="checkbox"/> 1.2 <input checked="" type="checkbox"/> 1.4 <input type="checkbox"/> 1.6 <input type="checkbox"/> 1.8 <input type="checkbox"/>
Link Washers	3.0 mm
Rear Hub Carrier	Alloy <input type="checkbox"/> Std <input checked="" type="checkbox"/>
Alloy Hub Carrier	+1° <input type="checkbox"/> -1° <input type="checkbox"/>
Rear Wishbones	Kit <input checked="" type="checkbox"/> Reversed <input type="checkbox"/> Med Flex <input type="checkbox"/>
Link Washers	NIA mm
Alloy	Yes <input type="checkbox"/> No <input checked="" type="checkbox"/>
Rear Ride Height	20 mm
Rear Camber at Ride Height	-1.5 Deg
Rear Toe In (Flats IN 2.5°) <input type="checkbox"/> (Flats OUT 3.0°) <input checked="" type="checkbox"/>	
	<input type="checkbox"/> 33.5 (1 Dink) <input checked="" type="checkbox"/> 38.0 (2 Dink) <input type="checkbox"/> 42.5 (3 Dink)



C/F

