

# Setup Sheet



## DRIVER DETAILS

NAME	
DATE	
EVENT	
LOCATION	
RACE RESULT	
QUALIFYING POSITION	
FASTEST LAP TIME	

## NOTES

## TRACK CONDITIONS

GRIP LEVEL	High <input type="checkbox"/>	Medium <input type="checkbox"/>	Low <input type="checkbox"/>
TYPE	Tight <input type="checkbox"/>	Mixed <input type="checkbox"/>	Open <input type="checkbox"/>
SURFACE			
CONDITION	Smooth <input type="checkbox"/>	Bumpy <input type="checkbox"/>	
TRACK DIMENSIONS			
TEMPERATURE		°C	°F

## TYRES AND ADDITIVE

	Front	Rear
COMPOUND		
FOAM DIAMETER	mm	mm
TYRE ADDITIVE		
ADDITIVE TIME	minutes	minutes
ADDITIVE COVERAGE	%	%
SIDEWALL GLUE	<input type="checkbox"/>	<input type="checkbox"/>

## MOTOR AND GEARING

MOTOR	
MOTOR OPTIONS	
ROTOR DIAMETER	
TIMING	
SPUR GEAR SIZE	
PINION SIZE	
ROLLOUT	mm / rev

## ELECTRICS AND BODYSHELL

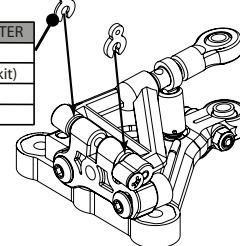
BODYSHELL		HEIGHT	mm
E.S.C			
SERVO			
RECEIVER			
LiPo			

## FRONT

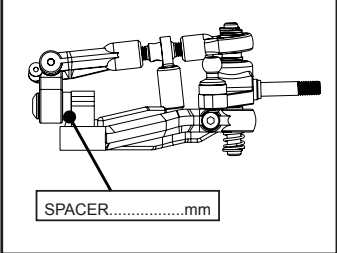
CAMBER		degrees	
RIDE HEIGHT		mm	
RIDE HEIGHT SPACER	1.0mm <input type="checkbox"/>	1.5mm <input type="checkbox"/>	2mm <input type="checkbox"/>
TOE OUT		degrees/side	
DAMPING		cSt	
DROOP		mm	
FRONT END BRACE	O-ring <input type="checkbox"/>	Solid <input type="checkbox"/>	Removed <input type="checkbox"/>

## STATIC CASTER

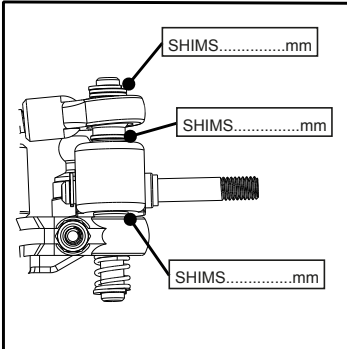
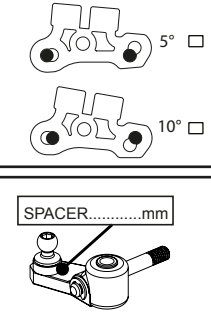
	FRONT	REAR	STATIC CASTER
<input type="checkbox"/>	1.5mm	0mm	2.5°
<input type="checkbox"/>	1mm	0.5mm	4.0° (kit)
<input type="checkbox"/>	0.5mm	1mm	6.0°
<input type="checkbox"/>	0mm	1.5mm	7.5°



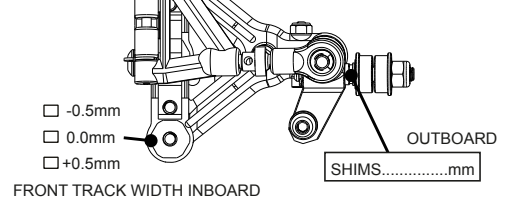
## UPPER ARM LENGTH



## REACTIVE CASTER



## FRONT TRACK WIDTH ADJUSTMENT



## FRONT SPRINGS

- SUPER SOFT - U7013
- RED - U7015
- YELLOW - U7016
- BLUE - U7014
- SOFT - U7012
- MEDIUM SOFT - U7011
- MEDIUM - U7009
- HARD - U7010

## REAR

RIDE HEIGHT		mm	
ROLL DAMPING		cSt	
BUMP DAMPING		cSt	
DROOP		mm	
ROLL CENTRE SHIFT	KIT <input type="checkbox"/>	+2.5mm <input type="checkbox"/>	.....mm <input type="checkbox"/>
ANTI SQUAT	KIT <input type="checkbox"/>	ANTI SQUAT <input type="checkbox"/>	.....
DIFF PRELOAD	360° KIT <input type="checkbox"/>		.....° <input type="checkbox"/>

